



SPRAYBOOTH.NET



RGI LED Fixture

ORDINARY LOCATION

Paint Booths (Non-Hazardous Locations) | Task | industrial

The RGI LED series is a line of LED open industrial Luminaries. It can be used in dry ordinary locations applications. These luminaries can be mounted vertically, horizontally, or surface mounted.

1. SERIES	2. SOURCE	3. VOLTAGE	4. CCT	5. LENS	6. OPTIONS
RGI-LED	L1-72W	V1: 120-277VAC 50/60HZ	4.5000K	BLANK: NONE	SM: Surface mount bracket

Note: 5-0 ft. 14/3 wire whip - solid

CERTIFICATIONS

- Dry Location
- UL CSA
- 40 Degrees Ambient Rating

CONSTRUCTION

- Heavy-duty, open industrial fixture
- Sturdy 20 gauge steel Galvanized
- Galvanized or Durable, white powder coat finish

FEATURES

- Reduced installation time
- LED independent Lamp



Product design and specifications subject to change without notice.visit www.spraybooths.net for the most current version and optometric data . Rev 06-01-19





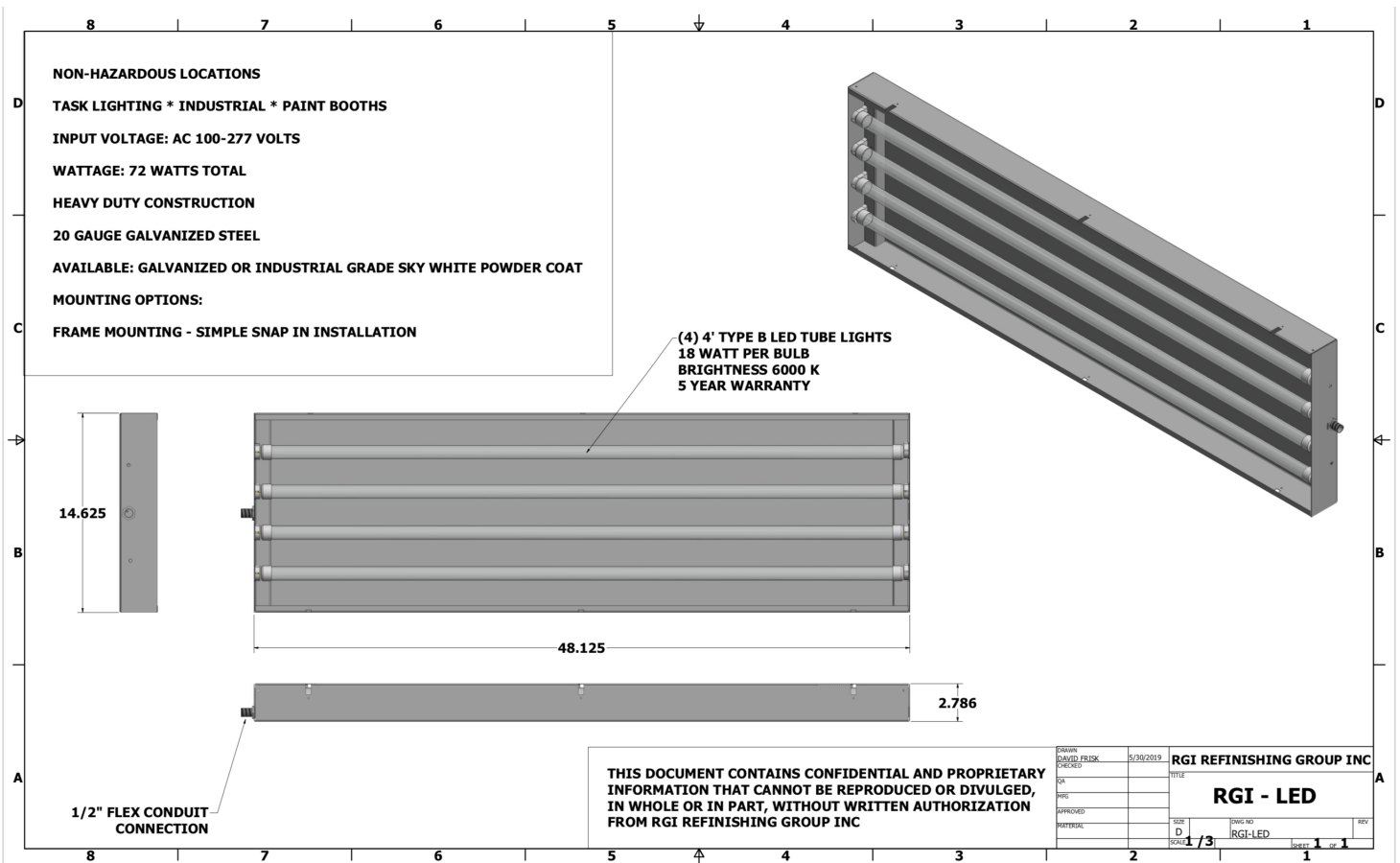
SPRAYBOOTH.NET

RGI LED Fixture

ORDINARY LOCATION

Paint Booths (Non-Hazardous Locations) | Task | industrial

					OUTPUT AT 5000K CCT	
SOURCE	WATTAGE	INPUT VOLTAGE (VAC)	INPUT CURRENT (A) @ 120V	INPUT CURRENT (A) @277 V	LUMEN OUTPUT (DIFFUSED LENS)	LUMEN OUTPUT (NO LENS)
RGI-LED	72	120-277V	0.62	0.26	8200	8,800



Product design and specifications subject to change without notice. visit www.spraybooths.net for the most current version and optometric data . Rev 06-01-19

RGI Spray Booths 410 E. Grant Line Rd. BLDG 1 Tracy, CA 95376 Tel: 209-831-9209 www.spraybooths.net

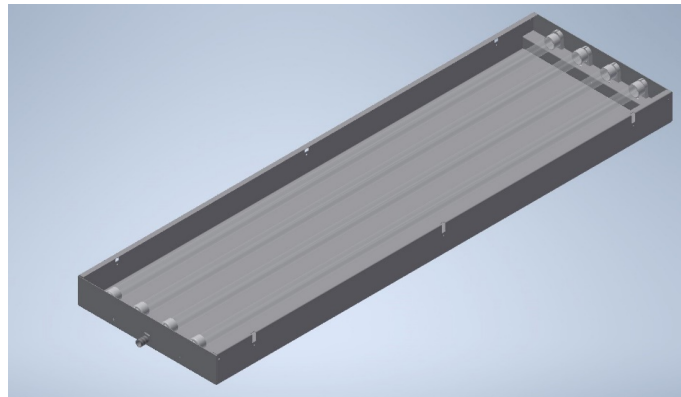


RGI LED Fixture

ORDINARY LOCATION

Paint Booths (Non-Hazardous Locations) | Task | industrial

RGI - LED FRAME MOUNT INSTALLATION INSTRUCTIONS OPTION 1.



The RGI - LED light is designed to simply snap into place into the mating RGI metal frame.



Mate Precision Tooling Snap Lock

Product design and specifications subject to change without notice. visit www.spraybooths.net for the most current version and optometric data . Rev 06-01-19

RGI - Spray Painting
Booths are designed
with a mating female
frame to capture the



RGI-LED

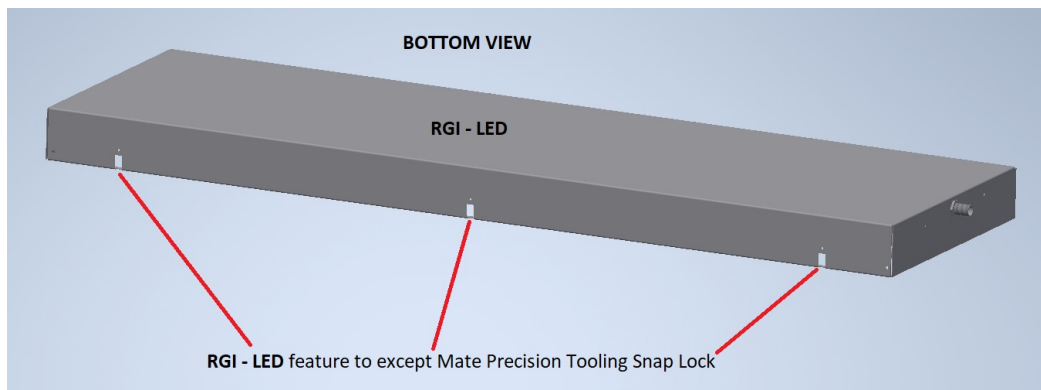
SPRAYBOOTH.NET

RGI LED Fixture

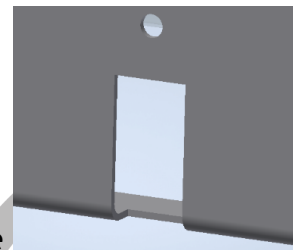
ORDINARY LOCATION

Paint Booths (Non-Hazardous Locations) | Task | industrial

RGI - LED FRAME MOUNT INSTALLATION INSTRUCTIONS OPTION 1.



Snap Lock firming locks into mating RGI - LED feature



Product design and specifications subject to change without notice.visit www.spraybooths.net for the most current version and optometric data . Rev 06-01-19

To change LED tube in the future push the Snap Lock tab with a



screw driver to release the lock.

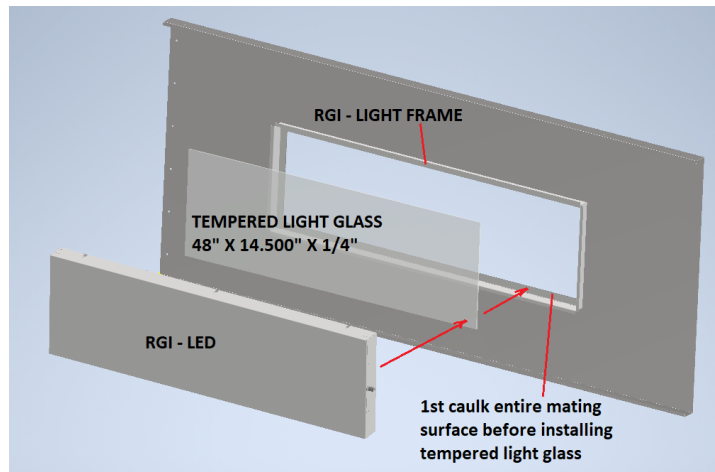
RGI LED Fixture

ORDINARY LOCATION

Paint Booths (Non-Hazardous Locations) | Task | industrial

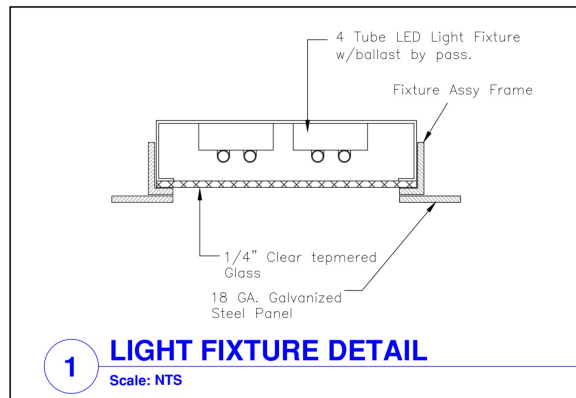
RGI - LED FRAME MOUNT INSTALLATION INSTRUCTIONS OPTION 2.

Spray booth panel mounted design with recess frame



Product design and specifications subject to change without notice.visit

RGI Spray Booths 410 E. Gra



-9209 www.spraybooths.net



SPRAYBOOTH.NET

RGI LED Fixture

ORDINARY LOCATION

Paint Booths (Non-Hazardous Locations) | Task | industrial

WIRING RGI - LED



Uncoil wire bundle.



Feed wires through 1/2" conduit shown.



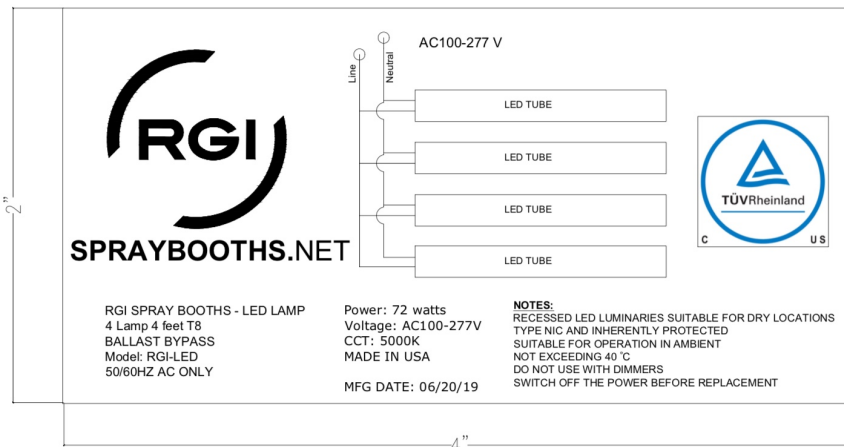
Connect conduit to the mating fitting on the RGI - LED. Connect to mating wires at junction box. See wiring diagram. The services of a licensed electrician may be required in your jurisdiction district.





SPRAYBOOTHSS.NET

LABEL & WIRING DIAGRAM



THIS DOCUMENT CONTAINS CONFIDENTIAL AND PROPRIETARY INFORMATION THAT CANNOT BE REPRODUCED OR DIVULGED, IN WHOLE OR IN PART, WITHOUT WRITTEN AUTHORIZATION FROM RGI REFINISHING GROUP INC

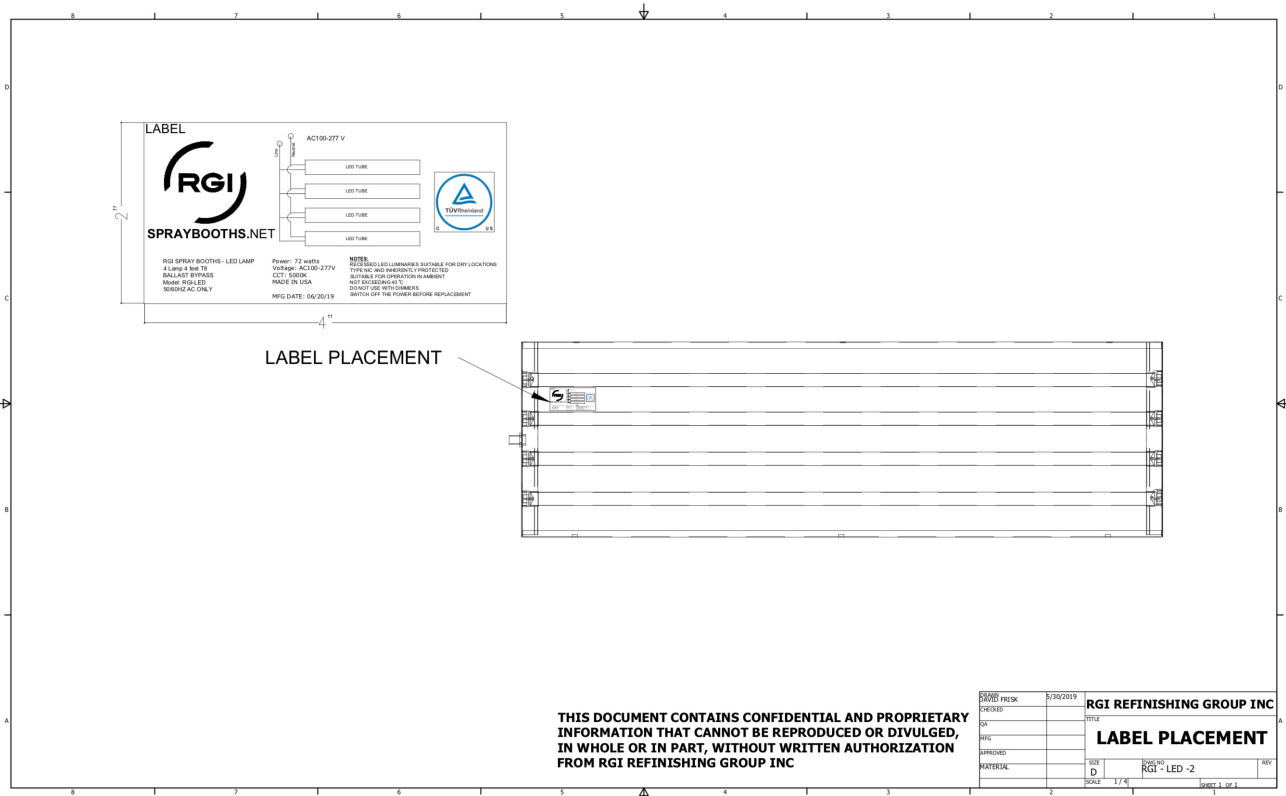
DESIGNED	FRISK	5/30/2019	RGI REFINISHING GROUP INC
CHECKED			TITLE
QA			LABEL & WIRING DIAGRAM
APPROVED			
MATERIAL			SIZE
			D
			SCALE
			1/4"
			SHEET 1 of 1

Product design and specifications subject to change without notice. visit www.spraybooths.net for the most current version and optometric data . Rev 06-01-19





SPRAYBOOTHS.NET



THIS DOCUMENT CONTAINS CONFIDENTIAL AND PROPRIETARY INFORMATION THAT CANNOT BE REPRODUCED OR DIVULGED, IN WHOLE OR IN PART, WITHOUT WRITTEN AUTHORIZATION FROM RGI REFINISHING GROUP INC

DESIGNER	FRISK	DATE	9/30/2019	RGI REFINISHING GROUP INC	
DRAWN		TITLE		LABEL PLACEMENT	
CHK					
APPROVED		SCALE	1/1"	SHEET	1 OF 1
MATERIAL	D	DESCRIPTION	RGI LED -2	REV	

Product design and specifications subject to change without notice.visit www.spraybooths.net for the most current version and optometric data . Rev 06-01-19

